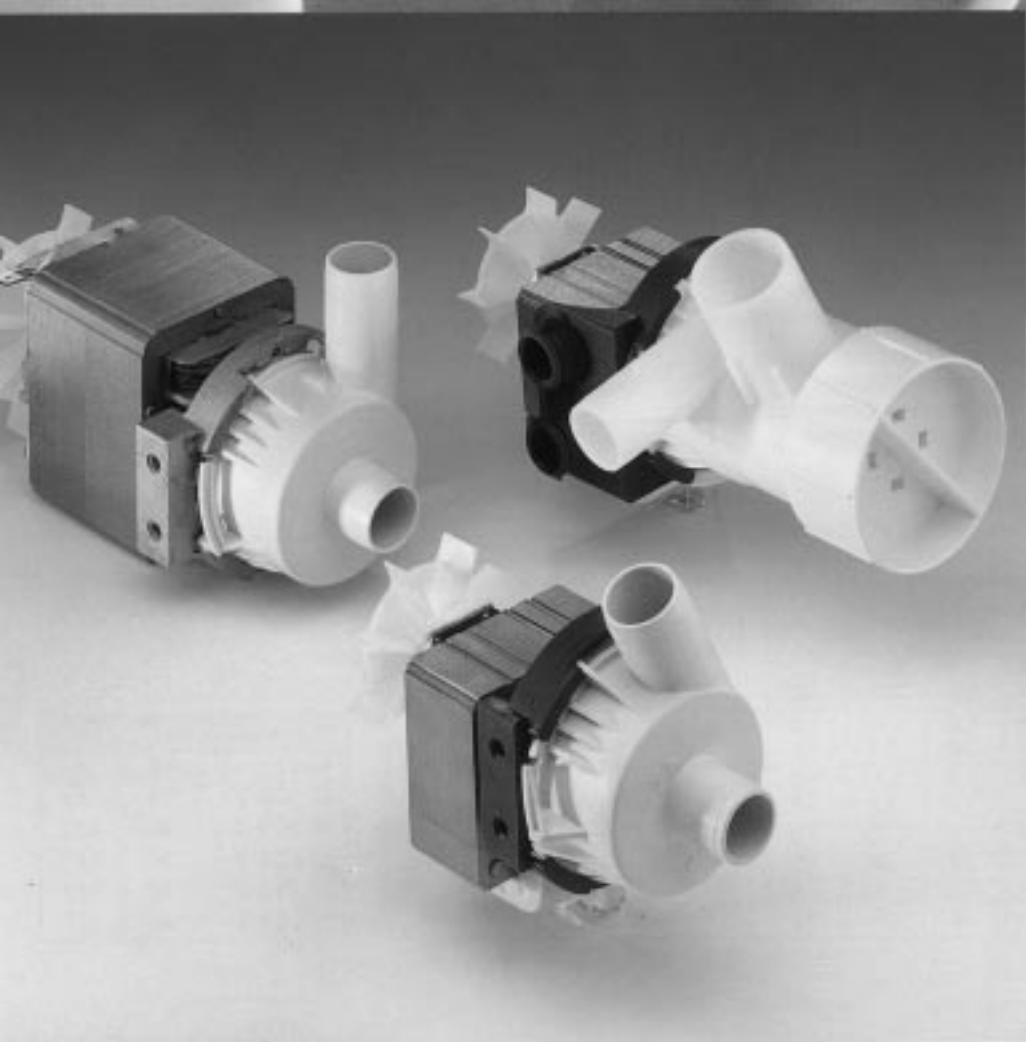
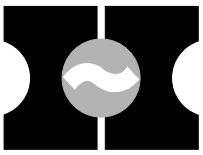


**DRAIN PUMPS**



**Asynchronous Pumps**





# Drain Pumps: for Washing Machines and Dishwashers

## Types

BE 20 B 2  
BE 20 B 4  
BE 22 B 3  
BE 28 B 4  
BE 38 B 5

## Pump housing:

bayonet catch, 4 possible outlet positions.

Material: reinforced polypropylene.

Direction of rotation: counter clockwise (standard design) optional clockwise.

## Impeller:

Material: polypropylene.

## Shaft:

stainless steel.

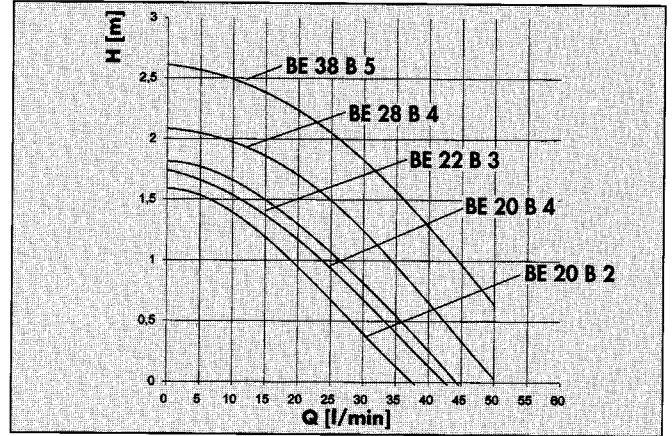
## Seal:

double lip seal, proven time and again, with life guaranty of 1500 hours of operation.

**Protection of winding: coil with thermoplastic extrusion coating (protection against moisture, contact and fire).**

## Connection:

tab terminal 6,3 x 0,8 mm

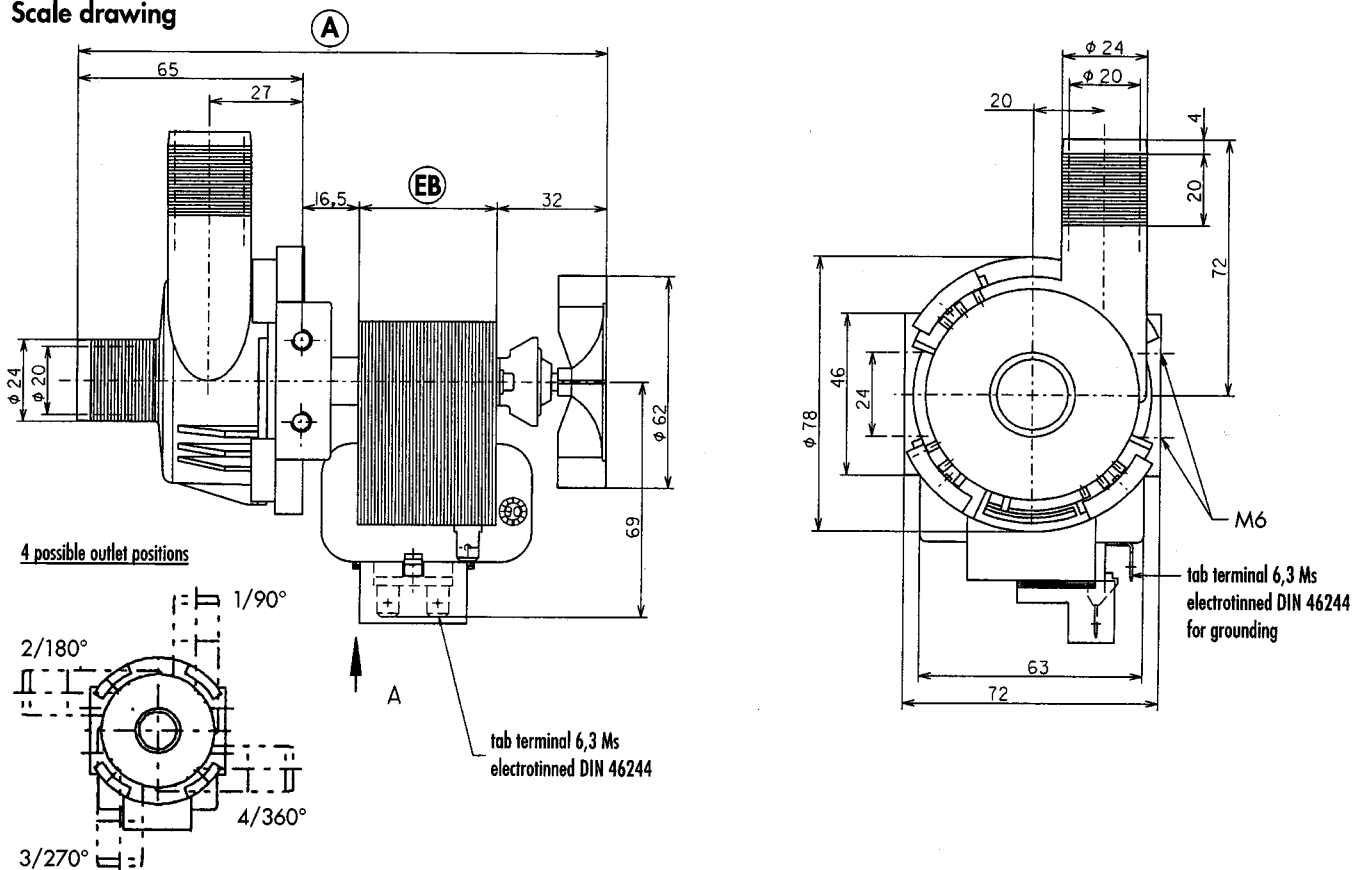


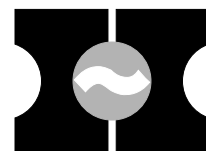
Technical data	Hydraulic performance				Input	Mode of operation	Weight	
	Flow rate	230 V		196 V				
Type	Head height:m Quantity: l/min	0,75 24	1,0 20	0,75 20	1,0 16	P <sub>1</sub> /230 V 56 W	CD 0,8	kg
BE 20 B 2	Head height:m Quantity: l/min	0,75 28	1,0 24	0,75 23	1,0 18	68 W	CD	1,3
BE 20 B 4	Head height:m Quantity: l/min	0,75 31	1,0 26	0,75 22	1,0 17	70 W	CD	1,0
BE 22 B 3	Head height:m Quantity: l/min	0,75 38	1,0 34	0,75 28	1,0 25	85 W	SD	1,2
BE 28 B 4	Head height:m Quantity: l/min	0,75 47	1,0 44	0,75 37	1,0 33	96 W	CD	1,35
BE 38 B 5								

Dimensions in mm		
Type	EB	A
BE 20 B 2	25	142
BE 20 B 4	35	152
BE 22 B 3	30	147
BE 28 B 4	35	152
BE 38 B 5	40	157

CD=continuous duty/SD= short time duty

## Scale drawing





# Drain Pumps

## Types

BE 50 C 5  
BE 54 C 9  
BE 55 C 9

## Pump housing:

Material: reinforced polypropylene. Connected to motor by tensioning plate, thus any outlet position socket possible.

## Impeller:

Material: polypropylene.

## Shaft:

stainless steel.

## Seal:

BE 50 C 5, BE 54 C 9  
double lip seal, proven time and again, with life guaranty of 1500 hours of operation.

## BE 55

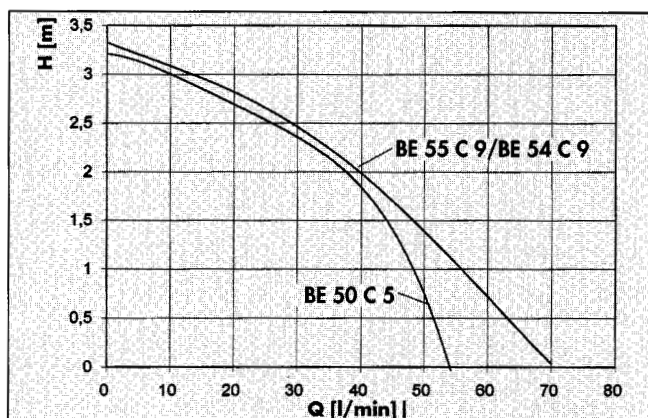
axial face seal with life guaranty of 5000 hours of operation

## Protection of winding (on request):

thermal protector (bimetal circuit-breaker)

## Connection:

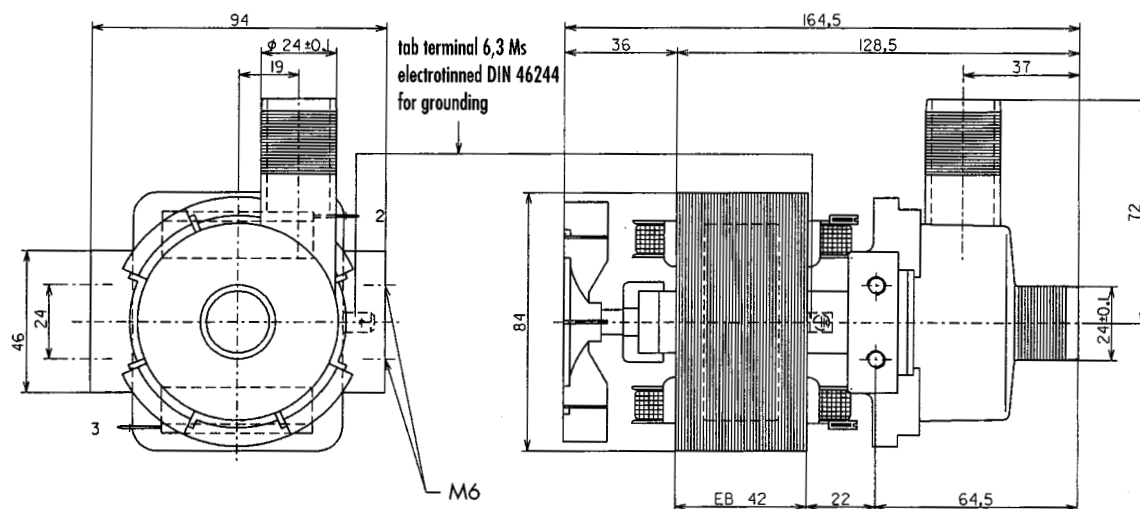
tab terminal 6,3 x 0,8 mm



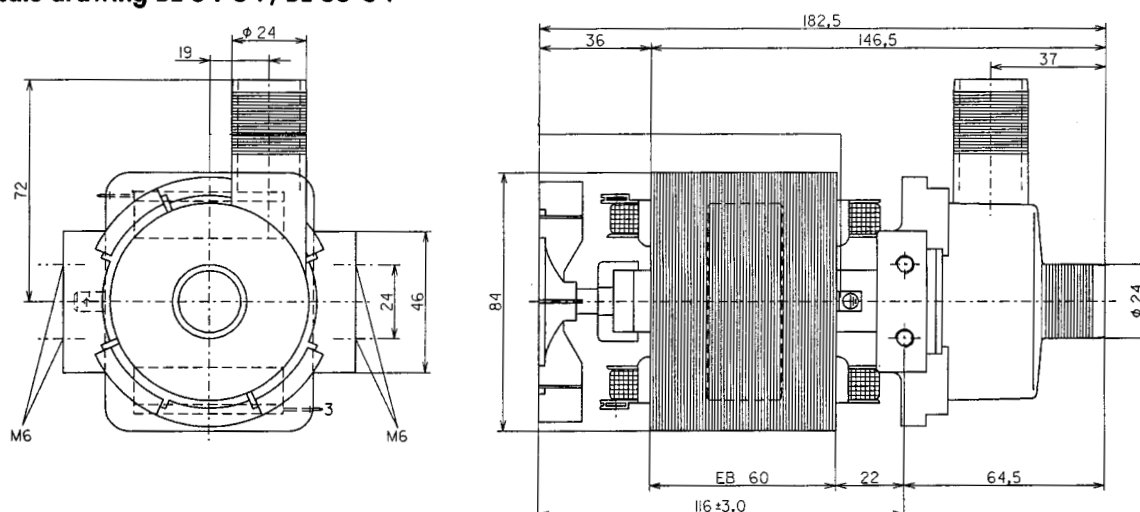
Technical data	Hydraulic performance				Input	Mode of operation	Weight
	Flow rate	230 V		196 V			
Type	Flow rate					P <sub>1</sub> /230 V	
BE 50 C 5	Head height:m	0,75	1,0	0,75	1,0	150 W	SD
	Quantity: l/min	50	48	40	35		
BE 54 C 9	Head height:m	0,75	1,0	0,75	1,0	170 W	CD
BE 55 C 9	Quantity: l/min	55	52	42	37		

CD=continuous duty/SD= short time duty

## Scale drawing BE 50 C 5



## Scale drawing BE 54 C 9/BE 55 C 9



# Drain Pumps with Fluff Filter

**Type**  
FE 30 B 4

**Pump housing:**  
bayonet catch, 4 possible outlet positions.

**Material:** reinforced polypropylene.

**Direction of rotation:**  
counter clockwise (standard design) optional clockwise

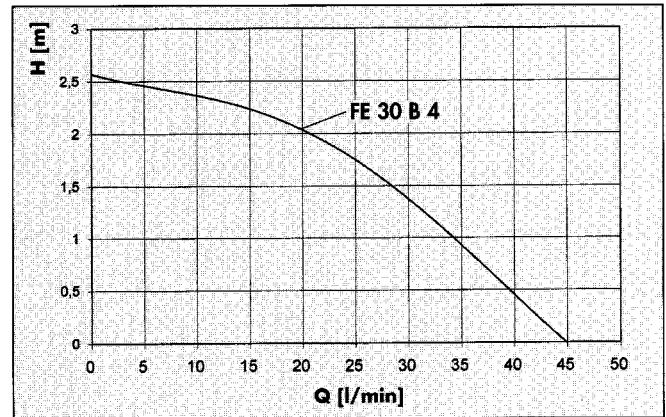
**Impeller:**  
**Material:** polypropylene.

**Shaft:**  
stainless steel.

**Seal:**  
double lip seal, proved themselves a million times over, with life guaranty of 1500 hours operation.

**Protection of winding:**  
coil with thermoplastic - extrusion coating (protection against moisture, contact and fire).

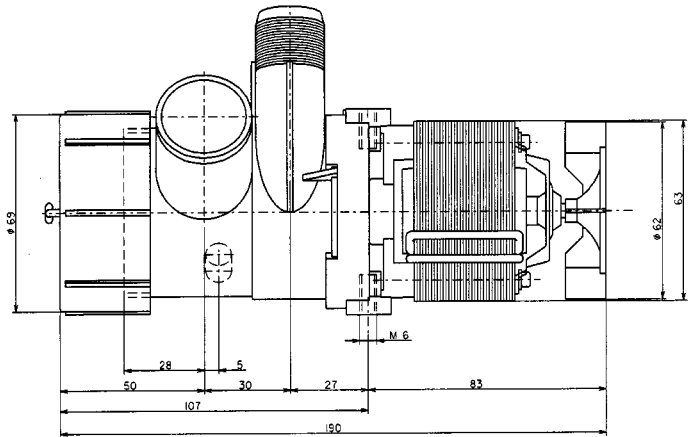
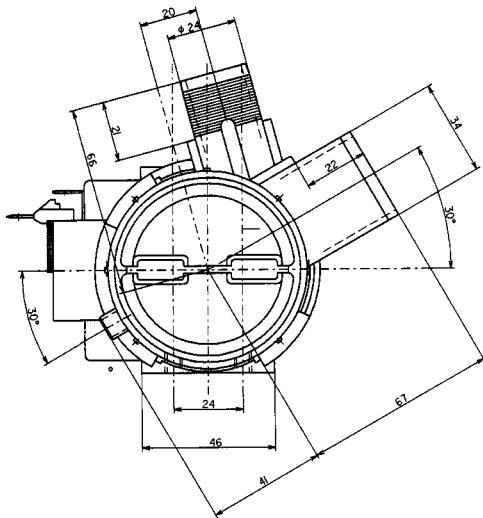
**Connection:**  
tab terminal 6,3 x 0,8 mm



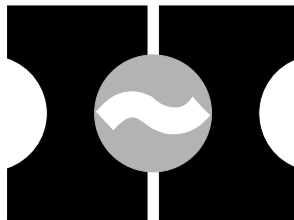
Technical data	Hydraulic performance				Input	Mode of operation	Weight
	Flow rate	230 V		196 V			
Type	Head height: m	0,75	1,0	0,75	1,0	P <sub>1</sub> / 230 V	kg
FE 30 B 4	Quantity: l/min	37	34	28	25	96 W	SD

SD= short time duty

## Scale drawing



Contact voor Benelux  
Sj. Dekker b.v.  
Postbus 7026 - 6503 GM Nijmegen (NL)  
St. Teunismolenweg 48A - 6534 AG Nijmegen (NL)  
Tel. +31 (0) 24 696 17 01  
Fax +31 (0) 24 696 27 47  
E-mail info@sjdekker.nl  
www.sjdekker.nl



**HANNING**  
**ELEKTRO-WERKE** GmbH & Co.



Holter Straße 90  
D-33813 Oerlinghausen  
Phone: ++49-52 02-707-0  
Fax: ++49-52 02-707-301